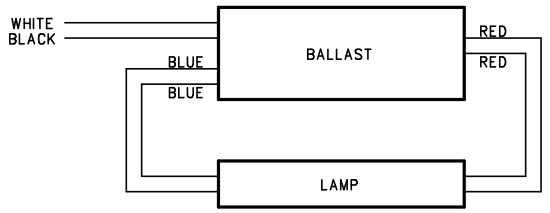
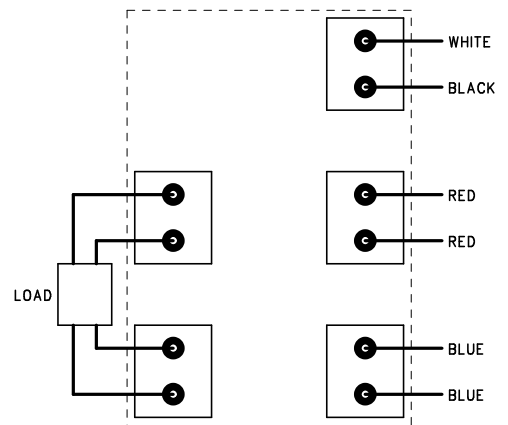


### CHART #1 - 1 TUBE RAPID START

#### NORMAL CONNECTIONS



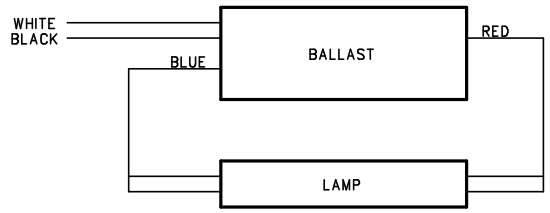
#### 2574 CONNECTIONS



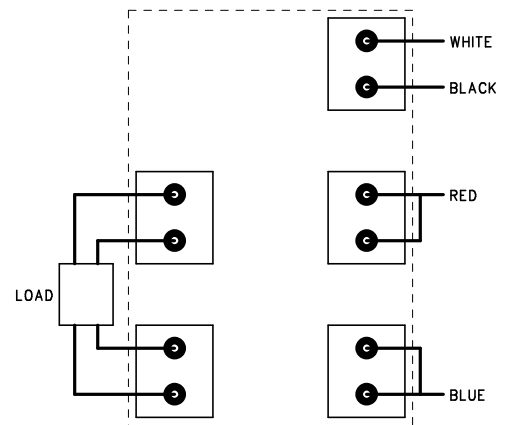
- USE SECTION A FOR BALLAST #1
- USE SECTION B FOR BALLAST #2
- USE SECTION C FOR BALLAST #3
- USE SECTION D FOR BALLAST #4

### CHART #9 - 1 TUBE INSTANT START

#### NORMAL CONNECTIONS



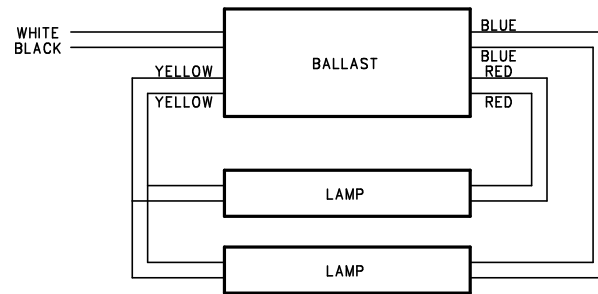
#### 2574 CONNECTIONS



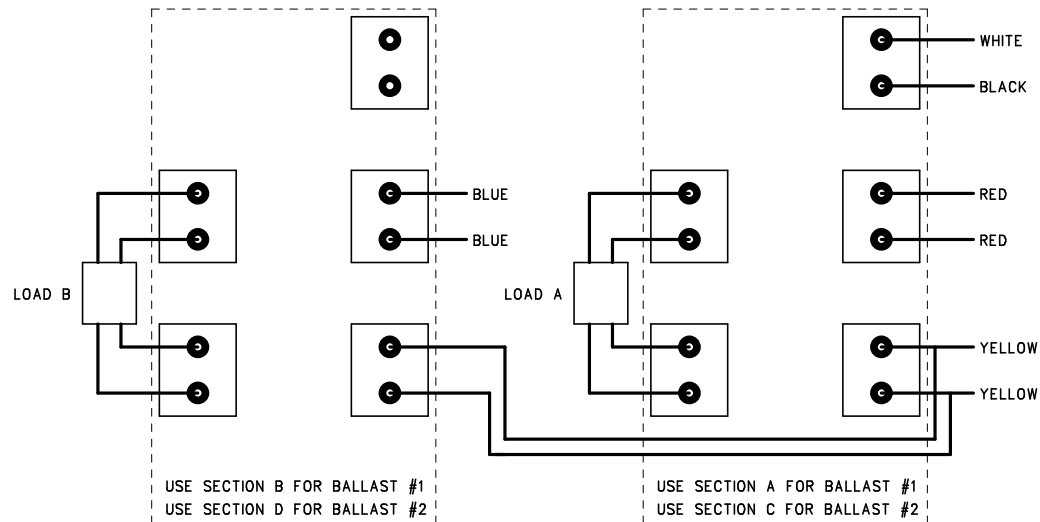
- USE SECTION A FOR BALLAST #1
- USE SECTION B FOR BALLAST #2
- USE SECTION C FOR BALLAST #3
- USE SECTION D FOR BALLAST #4

# CHART #2 - 2 TUBE RAPID START

## NORMAL CONNECTIONS

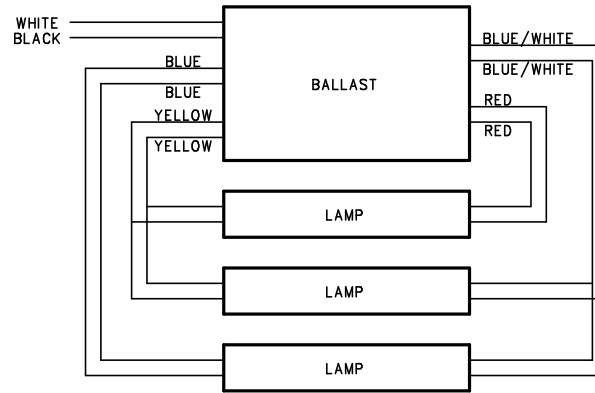


## 2574 CONNECTIONS

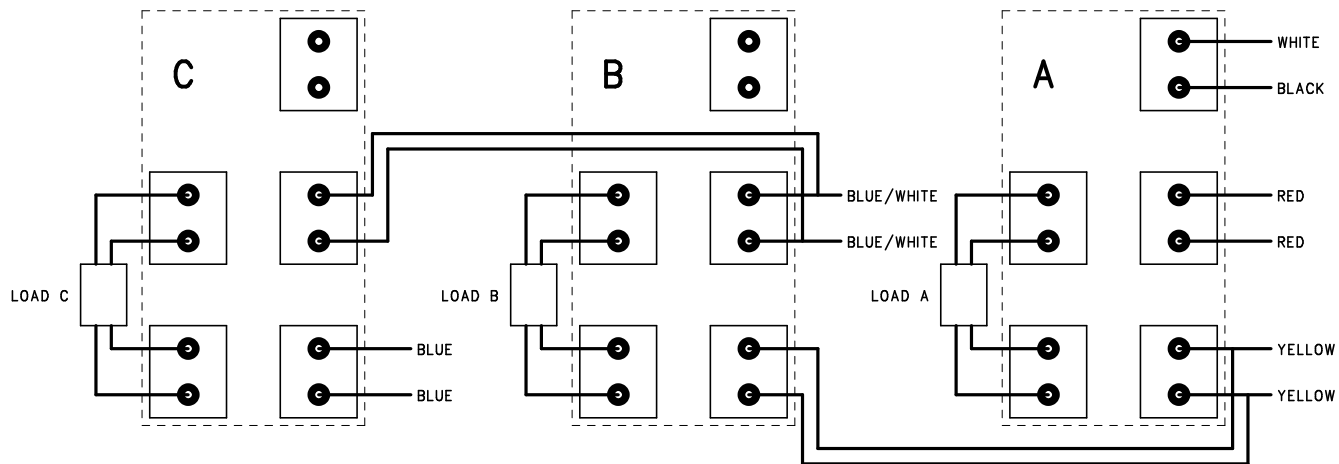


### CHART #3 - 3 TUBE RAPID START (TYPE A)

#### NORMAL CONNECTIONS

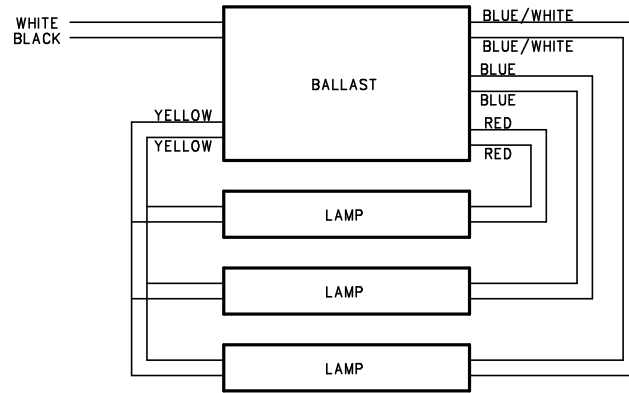


#### 2574 CONNECTIONS

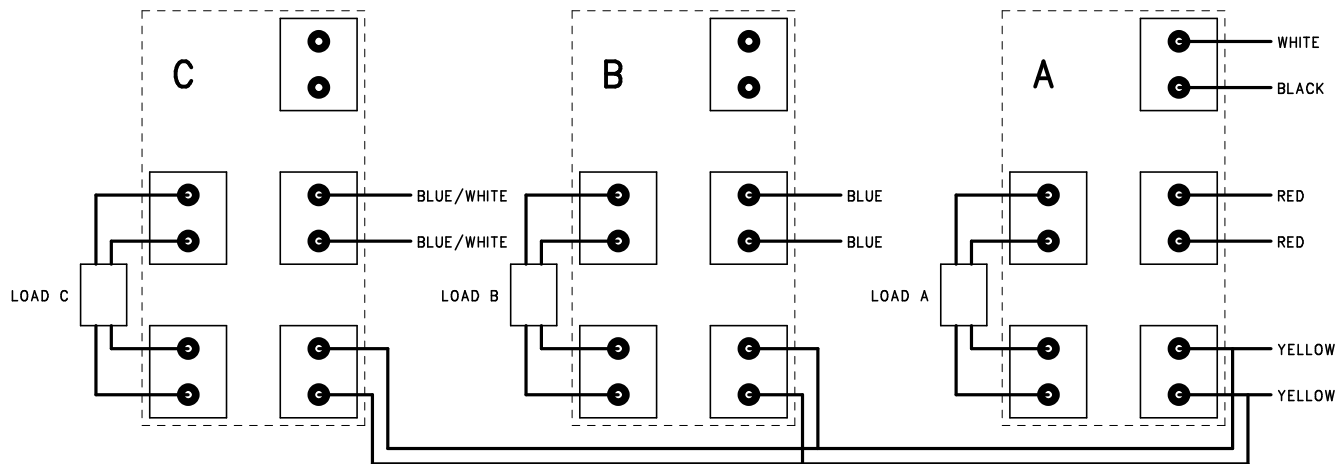


# CHART #4 - 3 TUBE RAPID START (TYPE B)

## NORMAL CONNECTIONS

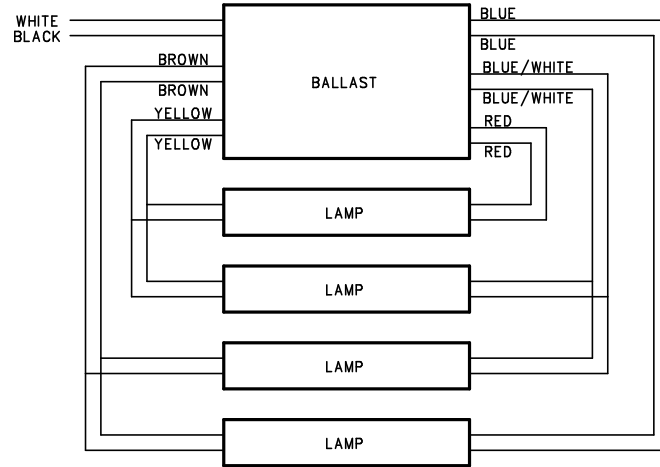


## 2574 CONNECTIONS

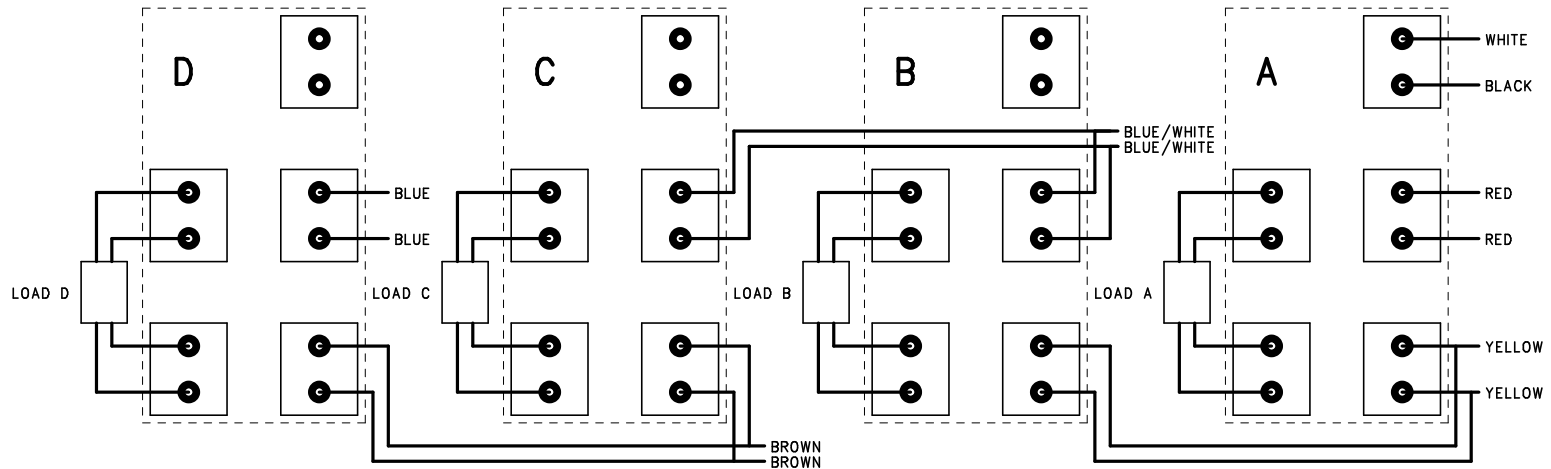


# CHART #5 - 4 TUBE RAPID START (TYPE A)

## NORMAL CONNECTIONS

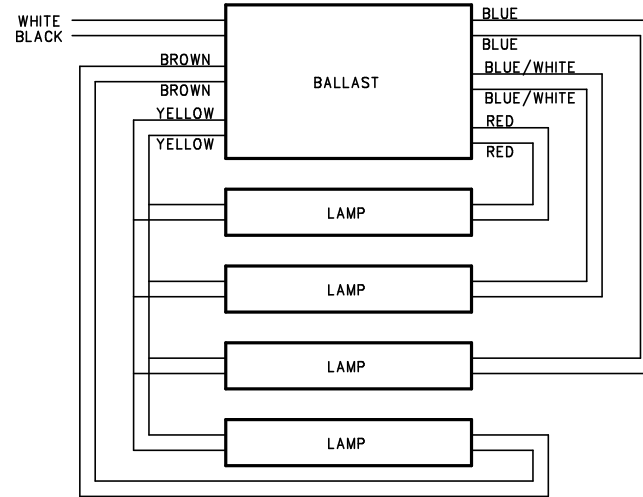


## 2574 CONNECTIONS



# CHART #6 - 4 TUBE RAPID START (TYPE B)

## NORMAL CONNECTIONS



## 2574 CONNECTIONS

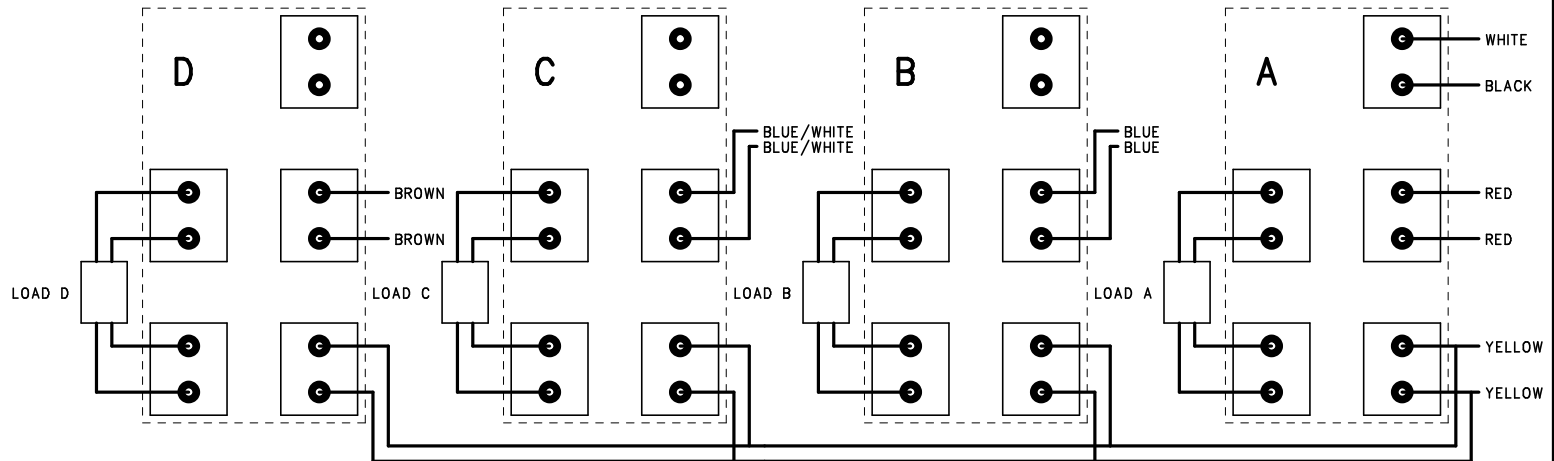
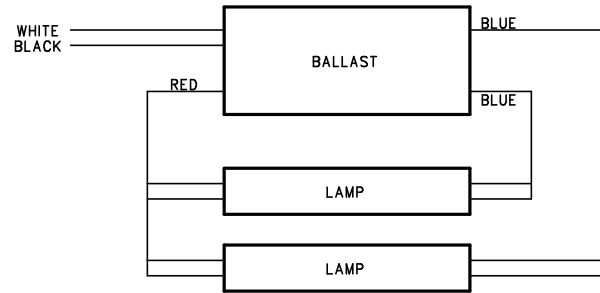


CHART #7 - RESERVED

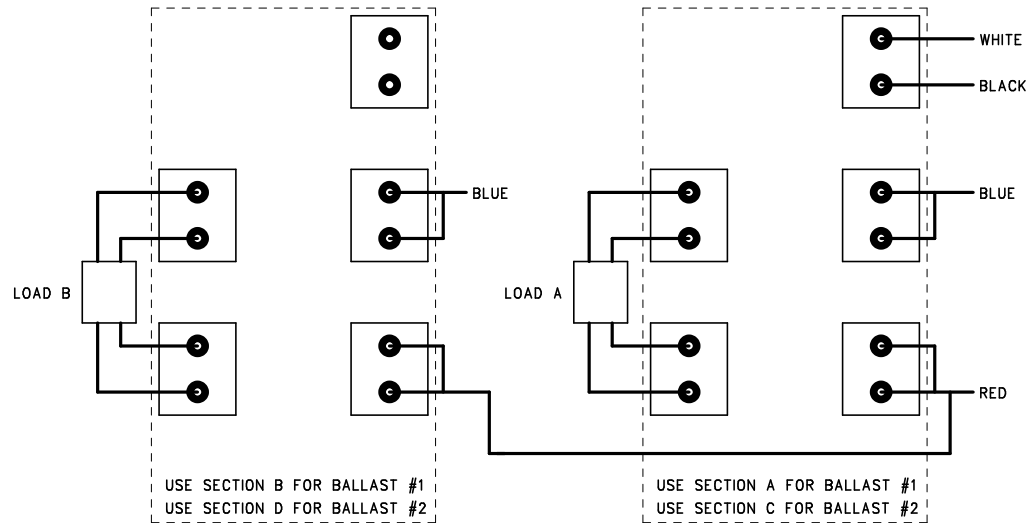
CHART #8 - RESERVED

# CHART #10 - 2 TUBE INSTANT START

## NORMAL CONNECTIONS



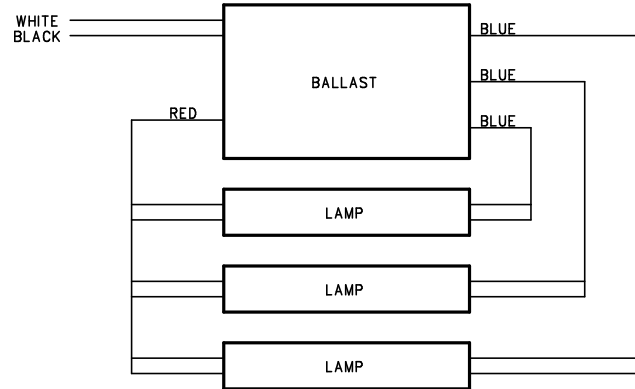
## 2574 CONNECTIONS



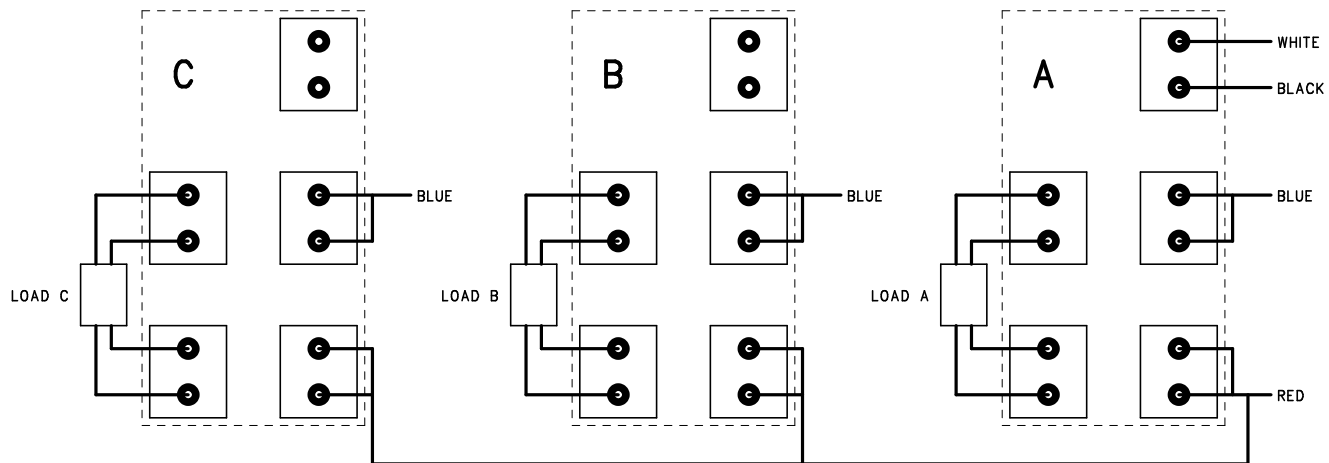


# CHART #11 - 3 TUBE INSTANT START

## NORMAL CONNECTIONS

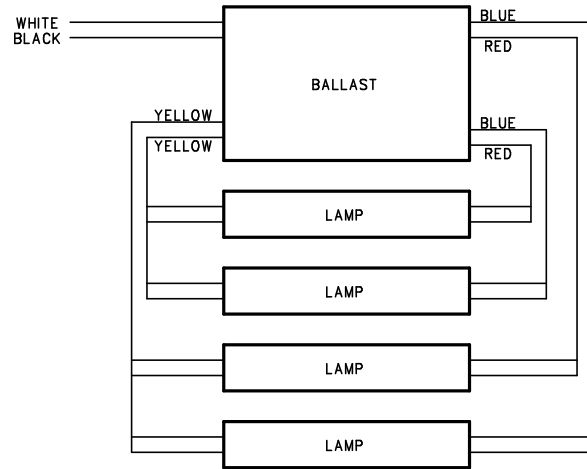


## 2574 CONNECTIONS

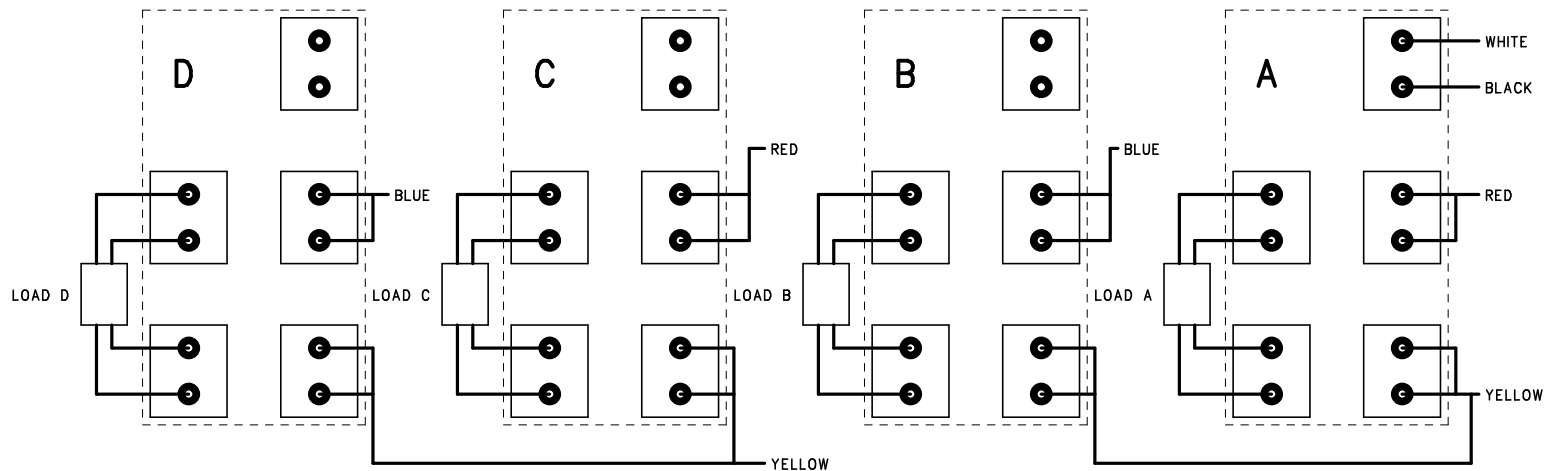


# CHART #12 - 4 TUBE INSTANT START

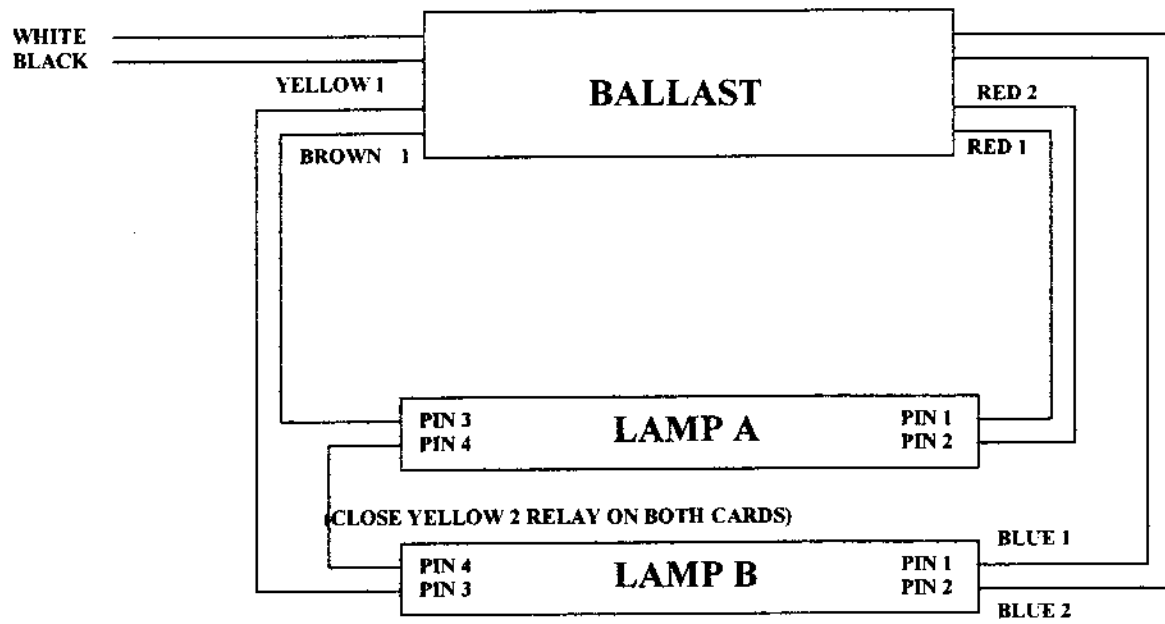
## NORMAL CONNECTIONS



## 2574 CONNECTIONS



# CHART # 14



# CHART #15

